

Base Cabinets

Flexibility is Key









Fast & Professional

About our Base Cabinets

Lab Design by Fenco Solutions offers a versatile lineup of base cabinets tailored for laboratory use. Available in widths from 18 to 47 inches, these cabinets feature sturdy 18-gauge steel construction with removable backs for plumbing access. Adjustable shelves and drawers are designed for durability and easy to remove fronts. Hinged doors ensure security with double pan 20-gauge steel construction. Ideal for demanding lab environments, these cabinets combine robust build quality with functional design.

Features & Options

-  **ADA Height Available**
-  **Mobile Units**
-  **Finished backs and tops**
-  **Lock options**
-  **20+ Standard Color Options**
-  **Material Options:**
Painted Steel, Wood, Stainless Steel, Polypropylene, Phenolic Resin



www.**FENCOLABS**.com

Find your solution today!



Toll-Free: 800.486.8484

PRODUCT NUMBER EXPLANATION

7001-29AFH

Cabinet Type

- 7** = Inset Cabinet
- 9** = Flush Overlay Cabinet

Cabinet Style

- 0** = Standing Height ≤24" (SBU)
- 1** = Standing Height ≥29" (DBU)
- 3** = Sitting Height ≤24" (SBU)
- 4** = Sitting Height ≥29" (DBU)
- 5-8** = Wall Unit
- 9** = Tall Storage Cabinets

Model Number

Special Options:

For Base Units,
7003, 7103, 7403 = Sink Base Unit

For Wall Units,
7_01 = Hinged Door
7_03 = Sliding Door
7_04 = Hinged Framed Glass Door
7_05 = Hinged Framed Glass 2-Door
7_06 = Sliding Framed Glass 2-Door
7_08 = Open Wall Unit

Modifications

- A** = ADA Height
 - FB** = Finished Backs
 - FH** = Fume Hood
 - WC** = Wheelchair Accessible
- *Modifications are stackable*

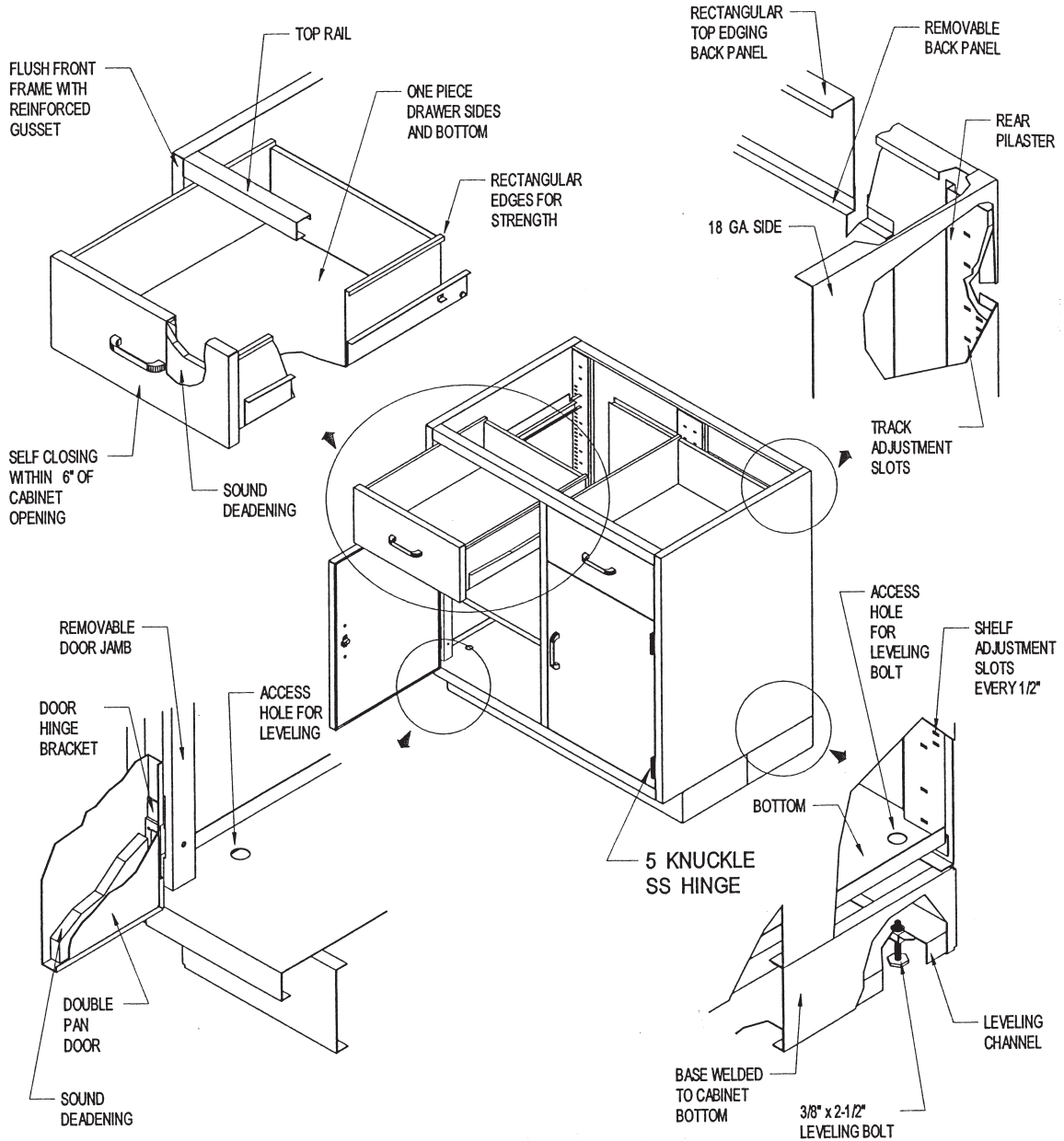
Cabinet Width

- Standing Ht (S/DBU) = **15", 18", 21", 24"**
- Standing Ht (S/DBU) = **29", 35", 41", 47"**
- Specialty Cabinets = **29", 35", 41", 47"**
- Freestanding Cabinets (SBU) = **18", 24"**
- Freestanding Cabinets (DBU) = **29", 35", 41", 47"**
- Wall Cabinets (SBU) = **15", 18", 21", 24"**
- Wall Cabinets (DBU) = **29", 35", 41", 47"**

Cupboard Door

- = Not applicable
- L** = Left Swing
- R** = Right Swing

ASSEMBLY & DIMENSIONS



CLEAR INSIDE DRAWER DIMENSIONS:

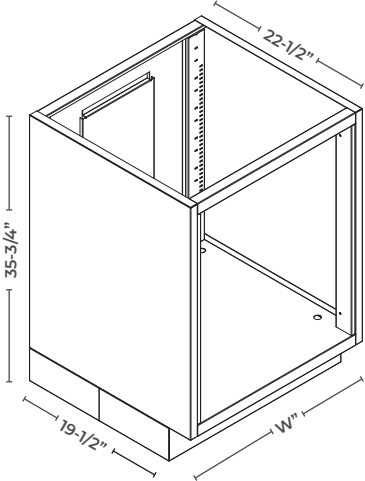
Typical Depth	18-1/8" (Front to Back)
3-5/8"H Drawer	2-7/8" High
7-1/3"H Drawer	6-1/2" High
14-1/2"H Drawer	13-3/4" High
18"W Cabinet	14-3/4" Wide
24"W Cabinet	20-3/4" Wide
35"W Cabinet	31-3/4" Wide for full width drawer or 14-3/4" Wide (2)
47"W Cabinet	43-3/4" Wide for full width drawer or 20-3/4" Wide (2)

CLEAR INSIDE CUPBOARD DIMENSIONS:

Typical Depth	20-7/8" (Front to Back)
Full Height	29" High
2 Drawer Height	14-1/2" High
3 Drawer Height	21-3/4" High
18"W Cabinet	14-5/8" Total Inside; 17-7/8" Clear Inside
24"W Cabinet	20-5/8" Total Inside; 23-7/8" Clear Inside
35"W Cabinet	31-5/8" Total Inside (Upright Removed); 34-7/8" Clear Inside Single Door Combo Unit 14-5/8" Total Inside
47"W Cabinet	43-5/8" Total Inside (Upright Removed); 46-7/8" Clear Inside Single Door Combo Unit 20-5/8" Total Inside

STANDING HEIGHT

7000 SERIES- SINGLE UNITS

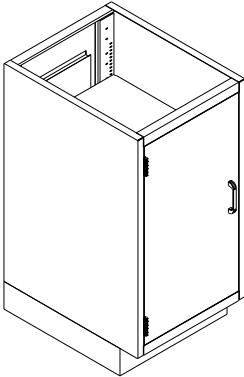


Product Features:

- Shelves are adjustable in 1/2" increments
- All cabinets have removable rear access panels.
- All file drawers have follow-blocks.
- Pull out shelves available.

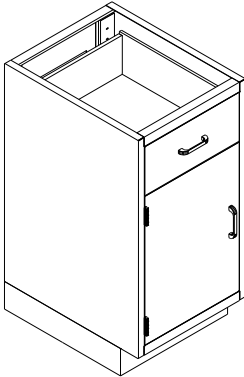
Ordering Information

- Specify swing for cupboard doors on **single** units by substituting '*' with 'R' or 'L' after series number (Units are shown with left swing).
- Ex. 7009**R**24 for right swing cupboard unit, 24" Wide)
- For finished backs, add suffix 'FB' to end of model number (Ex. 7010-24**FB**)
- For ADA Height, add letter 'A' to end of model number (Ex. 7001-15**A**)
- For Locks, add suffix 'LK' to end of model number (Ex. 7001-15**LK**)



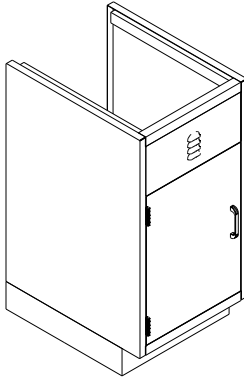
Cupboard door base unit

7001*15	15" W
7001*18	18" W
7001*21	21" W
7001*24	24" W



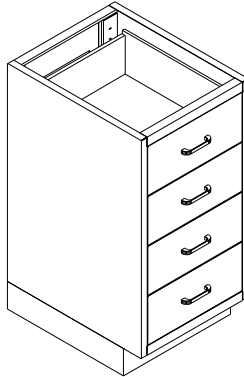
Drawer (1)/Cupboard (1) base unit

7002*15	15" W
7002*18	18" W
7002*21	21" W
7002*24	24" W



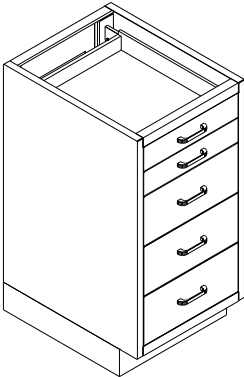
Door (1) sink base unit

7003*15	15" W
7003*18	18" W
7003*21	21" W
7003*24	24" W



Drawer (4) base unit

7004-15	15" W
7004-18	18" W
7004-21	21" W
7004-24	24" W



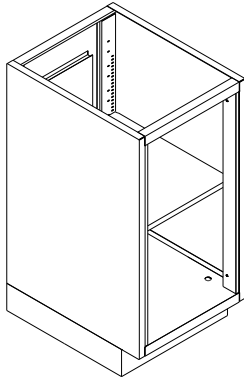
Drawer (5) base unit

7005-15	15" W
7005-18	18" W
7005-21	21" W
7005-24	24" W



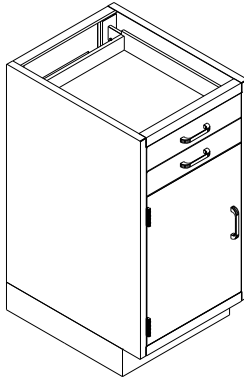
Drawer (8) base unit

7006-15	15" W
7006-18	18" W
7006-21	21" W
7006-24	24" W



Open base unit w/ shelf (1)

7008-15	15" W
7008-18	18" W
7008-21	21" W
7008-24	24" W

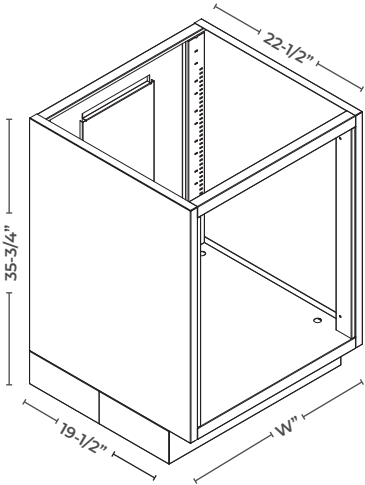


Drawer (2)/Cupboard (1) base unit

7009*15	15" W
7009*18	18" W
7009*21	21" W
7009*24	24" W

STANDING HEIGHT

7000 SERIES- SINGLE UNITS

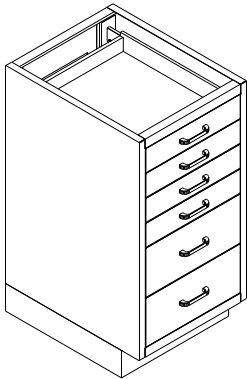


Product Features:

- Shelves are adjustable in 1/2" increments
- All cabinets have removable rear access panels.
- All file drawers have follow-blocks.
- Pull out shelves available.

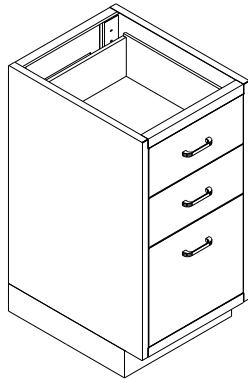
Ordering Information

- For finished backs, add suffix 'FB' to end of model number (Ex. 7010-24**FB**)
- For ADA Height, add letter 'A' to end of model number (Ex. 7001-15**A**)
- For Locks, add suffix 'LK' to end of model number (Ex. 7001-15**LK**)



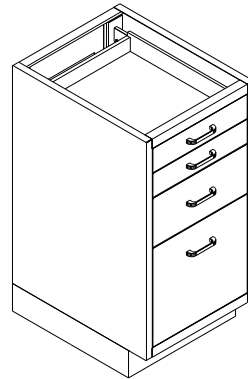
Drawer (6) base unit

7010-15	15" W
7010-18	18" W
7010-21	21" W
7010-24	24" W



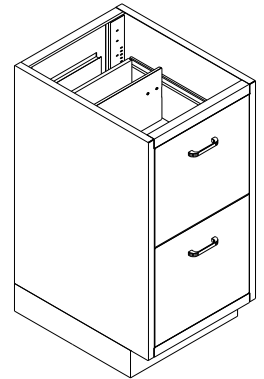
Drawer (2)/File drawer (1) base unit

7011-15	15" W
7011-18	18" W
7011-21	21" W
7011-24	24" W



Drawer (3)/File drawer (1) base unit

7012-15	15" W
7012-18	18" W
7012-21	21" W
7012-24	24" W



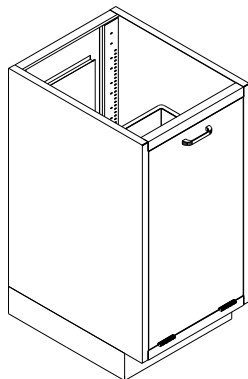
File drawer (2) base unit

7013-15	15" W
7013-18	18" W
7013-21	21" W
7013-24	24" W



Drawer (4)/File drawer (1) base unit

7014-15	15" W
7014-18	18" W
7014-21	21" W
7014-24	24" W

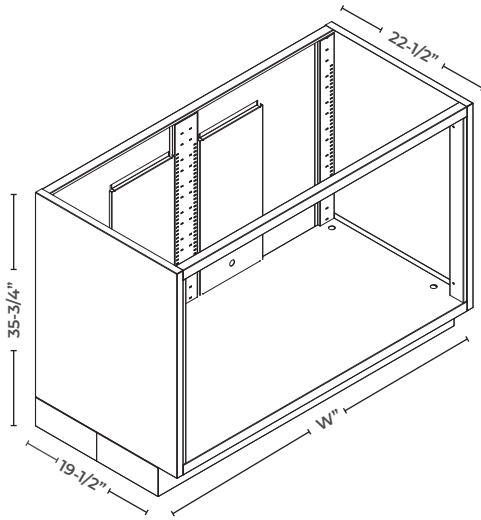


Trash unit with tilt-out-door
*Not available in ADA Height

7017-15	15" W
7017-18	18" W
7017-21	21" W
7017-24	24" W

STANDING HEIGHT

7100 SERIES- DOUBLE BASE UNITS

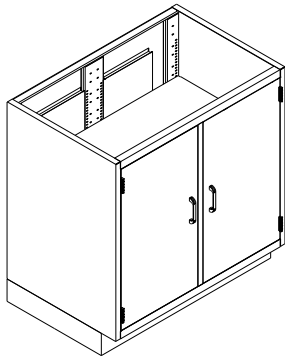


Product Features:

- Shelves are adjustable in 1/2" increments
- All cabinets have removable rear access panels.
- All file drawers have follow-blocks.
- Pull out shelves available.

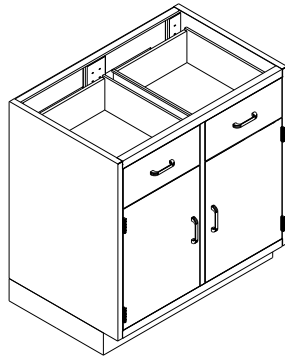
Ordering Information

- Specify swing for cupboard doors on **single** units by substituting '*' with 'R' or 'L' after series number (Units are shown with left swing).
(Ex. 7009R24 for right swing cupboard unit, 24" Wide)
- For finished backs, add suffix 'FB' to end of model number
(Ex. 7010-24FB)
- For ADA Height, add letter 'A' to end of model number
(Ex. 7102-29A)
- For Locks, add suffix 'LK' to end of model number (Ex. 7001-15LK)



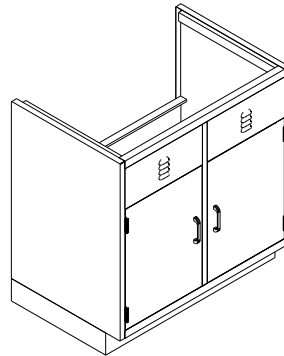
Door (2) base unit

7101-29	29" W
7101-35	35" W
7101-41	41" W
7101-47	47" W



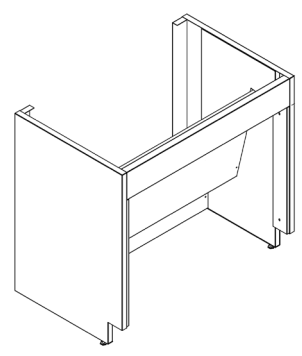
Drawer (2)/Door (2) base unit

7102-29	29" W
7102-35	35" W
7102-41	41" W
7102-47	47" W



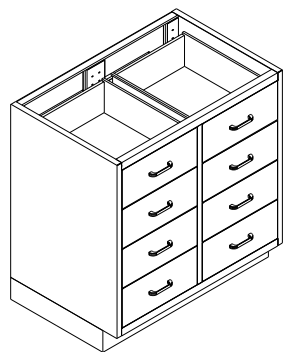
Door (2) sink base unit

7103-29	29" W
7103-29A-WC	29" W
7103-35	35" W
7103-35A-WC	35" W
7103-41	41" W
7103-41A-WC	41" W



Open ADA Sink Cabinet

7103-47	47" W
7103-47A-WC	47" W
7103-52	52" W
7103-52A-WC	52" W
7103-58	58" W
7103-58A-WC	58" W



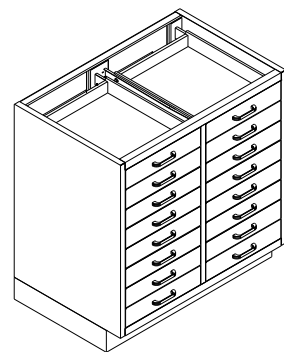
Drawer (8) base unit

7104-29	29" W
7104-35	35" W
7104-41	41" W
7104-47	47" W



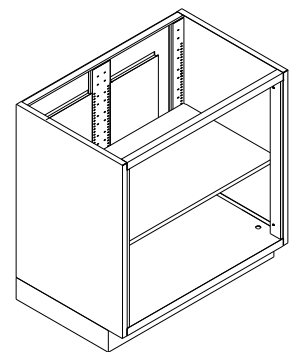
Drawer (10) base unit

7105-29	29" W
7105-35	35" W
7105-41	41" W
7105-47	47" W



Drawer (16) base unit

7106-29	29" W
7106-35	35" W
7106-41	41" W
7106-47	47" W

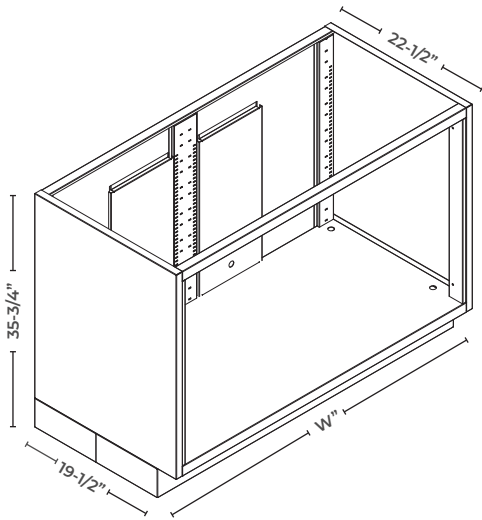


Open base unit w/ shelf (1)

7108-29	29" W
7108-35	35" W
7108-41	41" W
7108-47	47" W

STANDING HEIGHT

7100 SERIES- DOUBLE BASE UNITS



Product Features:

- Shelves are adjustable in 1/2" increments
- All cabinets have removable rear access panels.
- All file drawers have follow-blocks.
- Pull out shelves available.

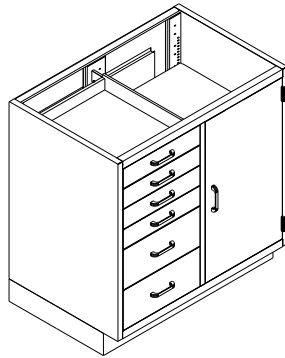
Ordering Information

- Specify swing for cupboard doors on **single** units by substituting '*R' with 'R' or 'L' after series number (Units are shown with left swing).
(Ex. 7009**R**24 for right swing cupboard unit, 24" Wide)
- For finished backs, add suffix '**FB**' to end of model number
(Ex. 7010-24**FB**)
- For ADA Height, add letter '**A**' to end of model number
(Ex. 7102-29**A**)
- For Locks, add suffix '**LK**' to end of model number (Ex. 7001-15**LK**)



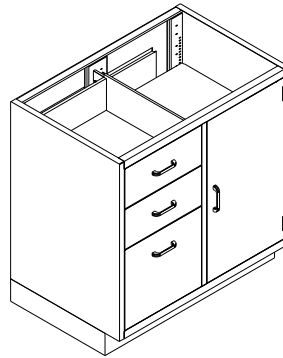
Drawer (4)/Door (2) base unit

7109-29	29" W
7109-35	35" W
7109-41	41" W
7109-47	47" W



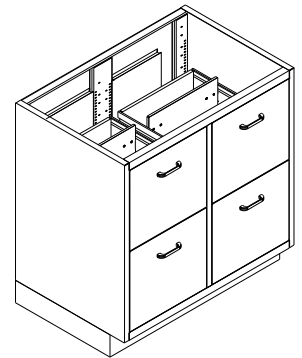
Drawer (6)/Cupboard (1) base unit

7110*29	29" W
7110*35	35" W
7110*41	41" W
7110*47	47" W



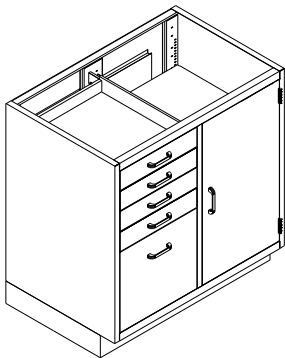
Drawer (2)/File Drawer (1)/Cupboard (1) base unit

7111*29	29" W
7111*35	35" W
7111*41	41" W
7111*47	47" W



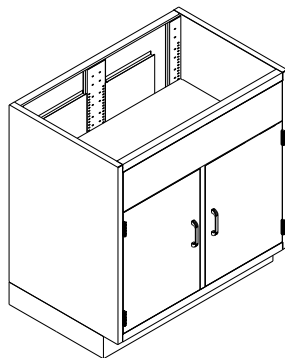
File drawer (4) base unit

7113-29	29" W
7113-35	35" W
7113-41	41" W
7113-47	47" W



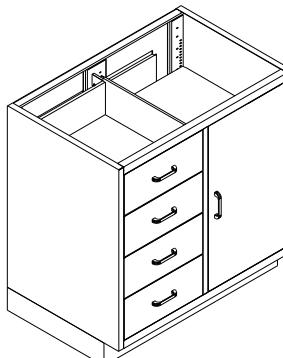
Drawer (4)/File drawer (1)/Cupboard (1) base unit

7114*29	29" W
7114*35	35" W
7114*41	41" W
7114*47	47" W



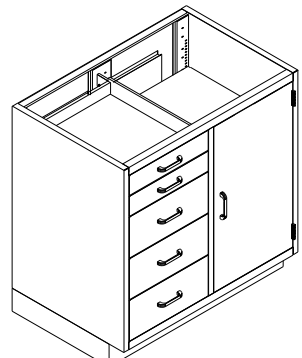
Full width drawer/Door (2) base unit

7119-29	29" W
7119-35	35" W
7119-41	41" W
7119-47	47" W



Drawer (4)/Cupboard (1) base unit

7121*29	29" W
7121*35	35" W
7121*41	41" W
7121*47	47" W

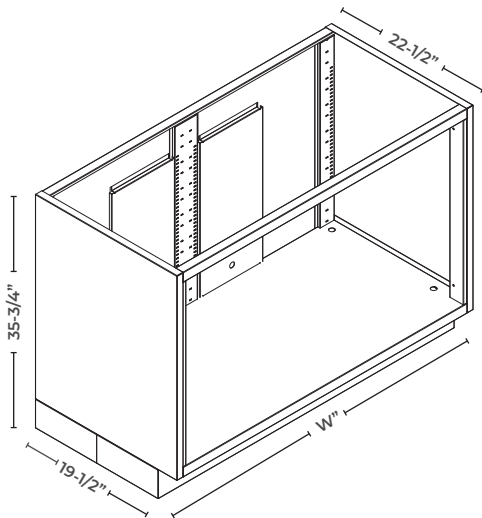


Drawer (5)/Cupboard (1) base unit

7122*29	29" W
7122*35	35" W
7122*41	41" W
7122*47	47" W

STANDING HEIGHT

7100 SERIES- DOUBLE BASE UNITS

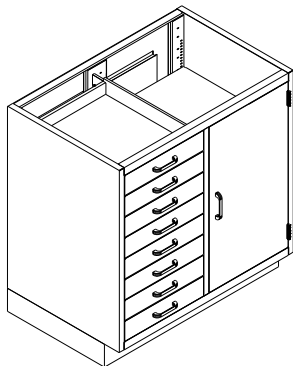


Product Features:

- Shelves are adjustable in 1/2" increments
- All cabinets have removable rear access panels.
- All file drawers have follow-blocks.
- Pull out shelves available.

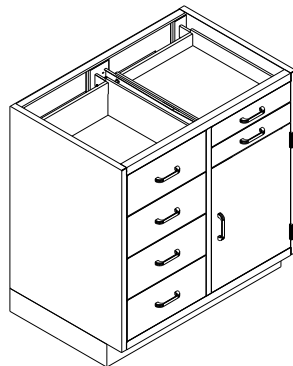
Ordering Information

- Specify swing for cupboard doors on **single** units by substituting '*' with 'R' or 'L' after series number (Units are shown with left swing).
(Ex. 7009R24 for right swing cupboard unit, 24" Wide)
- For finished backs, add suffix 'FB' to end of model number
(Ex. 7010-24FB)
- For ADA Height, add letter 'A' to end of model number
(Ex. 7102-29A)
- For Locks, add suffix 'LK' to end of model number (Ex. 7001-15LK)



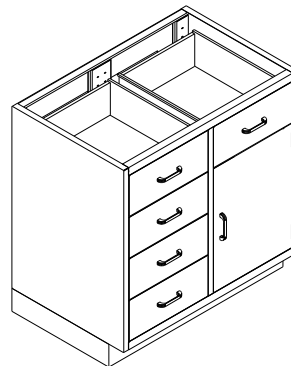
Drawer (8)/Cupboard (1) base unit
*Not available in ADA Height

7124*29	29" W
7124*35	35" W
7124*41	41" W
7124*47	47" W



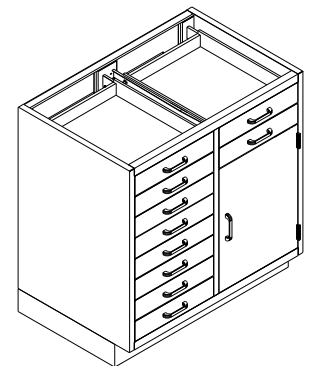
Drawer (6)/Cupboard (1) base unit

7125*29	29" W
7125*35	35" W
7125*41	41" W
7125*47	47" W



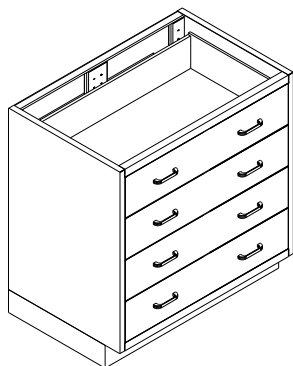
Drawer (5)/Cupboard (1) base unit

7126*29	29" W
7126*35	35" W
7126*41	41" W
7126*47	47" W



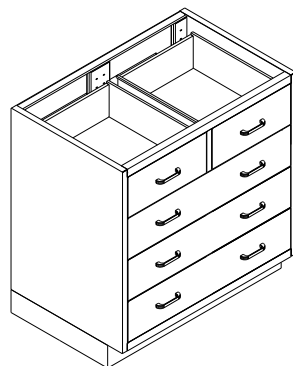
Drawer (10)/Cupboard (1) base unit
*Not available in ADA Height

7127*29	29" W
7127*35	35" W
7127*41	41" W
7127*47	47" W



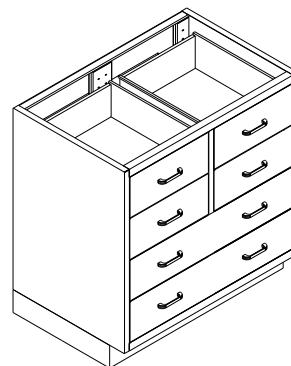
Full width drawer (4) base unit

7130-29	29" W
7130-35	35" W
7130-41	41" W
7130-47	47" W



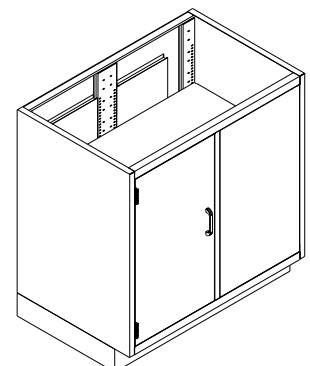
Drawer (2)/Full width drawer (3) base unit

7131-29	29" W
7131-35	35" W
7131-41	41" W
7131-47	47" W



Drawer (4)/Full width drawer (2) base unit
*Not available in ADA Height

7132-29	29" W
7132-35	35" W
7132-41	41" W
7132-47	47" W

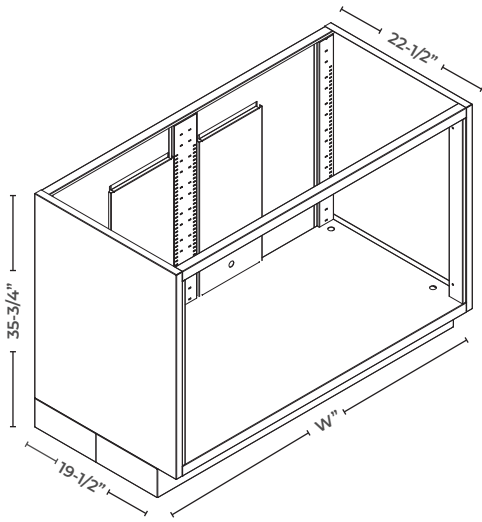


Dead corner base unit
*Not available in ADA Height

7136*29	29" W
7136*35	35" W
7136*41	41" W
7136*47	47" W

STANDING HEIGHT

7100 SERIES- DOUBLE BASE UNITS

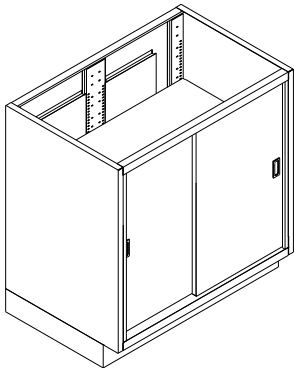


Product Features:

- Shelves are adjustable in 1/2" increments
- All cabinets have removable rear access panels.
- All file drawers have follow-blocks.
- Pull out shelves available.

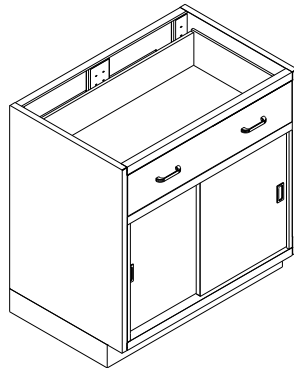
Ordering Information

- Specify swing for cupboard doors on **single** units by substituting '*' with 'R' or 'L' after series number (Units are shown with left swing).
(Ex. 7009R24 for right swing cupboard unit, 24" Wide)
- For finished backs, add suffix 'FB' to end of model number
(Ex. 7010-24FB)
- For ADA Height, add letter 'A' to end of model number
(Ex. 7102-29A)
- For Locks, add suffix 'LK' to end of model number (Ex. 7001-15LK)



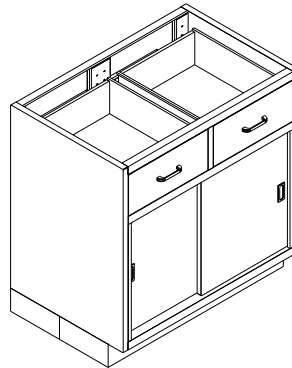
Sliding door (2) base unit

7141-29	29" W
7141-35	35" W
7141-41	41" W
7141-47	47" W



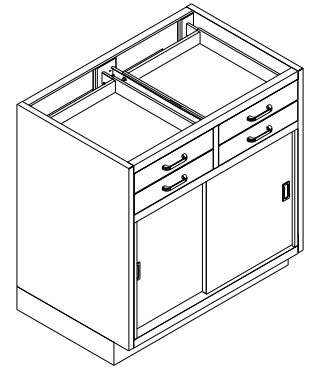
Full width drawer (1)/Sliding door (2) base unit

7143-29	29" W
7143-35	35" W
7143-41	41" W
7143-47	47" W



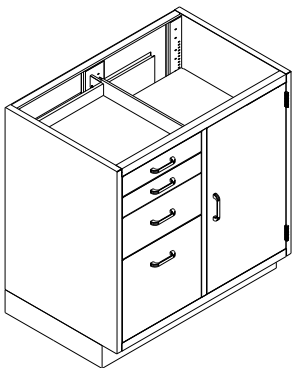
Drawer (2)/Sliding door (2) base unit

7145-29	29" W
7145-35	35" W
7145-41	41" W
7145-47	47" W



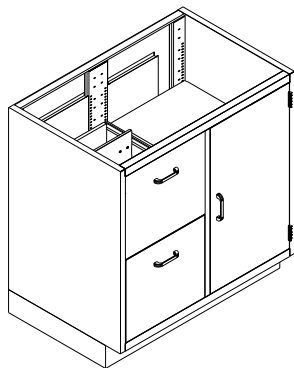
Drawer (4)/Sliding door (2) base unit

7146-29	29" W
7146-35	35" W
7146-41	41" W
7146-47	47" W



Drawer (3)/File Drawer (1)/Cupboard (1) base unit
*Not available in ADA Height

7149*29	29" W
7149*35	35" W
7149*41	41" W
7149*47	47" W

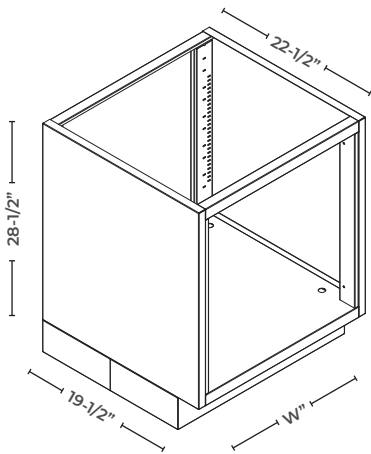


2 File Drawer/Cupboard (1) base unit

7167*29	29" W
7167*35	35" W
7167*41	41" W
7167*47	47" W

SITTING HEIGHT

7300 SERIES- SINGLE UNITS

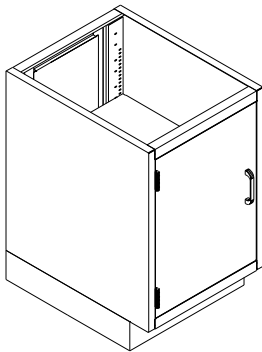


Product Features:

- Shelves are adjustable in 1/2" increments
- All cabinets have removable rear access panels.
- All file drawers have follow-blocks.
- Pull out shelves available.

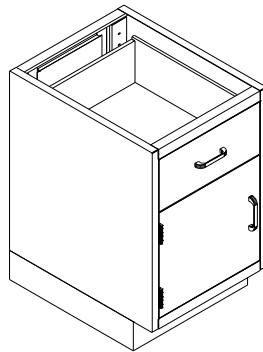
Ordering Information

- Specify swing for cupboard doors on **single** units by substituting '*' with 'R' or 'L' after series number (Units are shown with left swing).
- Ex. 7009**R**24 for right swing cupboard unit, 24" Wide)
- For finished backs, add suffix '**FB**' to end of model number (Ex. 7010-24**FB**)
- For Locks, add suffix '**LK**' to end of model number (Ex. 7001-15**LK**)



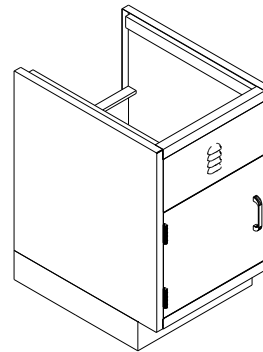
Cupboard (1) low base unit

7301*15	15" W
7301*18	18" W
7301*21	21" W
7301*24	24" W



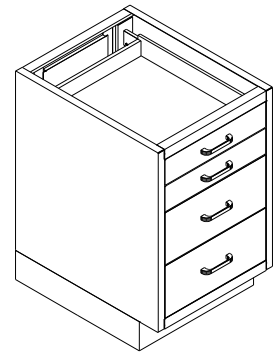
Drawer (1)/Cupboard (1) low base unit

7302*15	15" W
7302*18	18" W
7302*21	21" W
7302*24	24" W



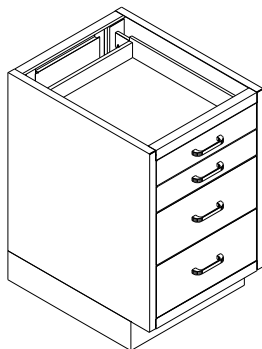
Cupboard (1) low sink base unit

7303*15	15" W
7303*18	18" W
7303*21	21" W
7303*24	24" W



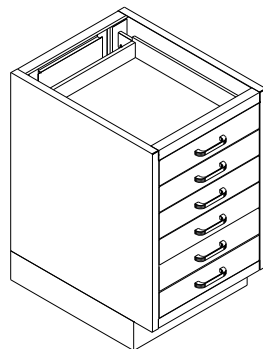
Drawer (3) low base unit

7304-15	15" W
7304-18	18" W
7304-21	21" W
7304-24	24" W



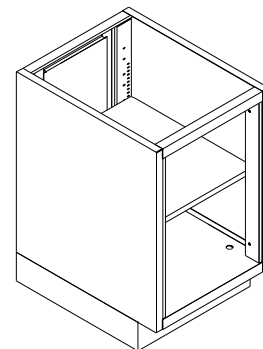
Drawer (4) low base unit

7305-15	15" W
7305-18	18" W
7305-21	21" W
7305-24	24" W



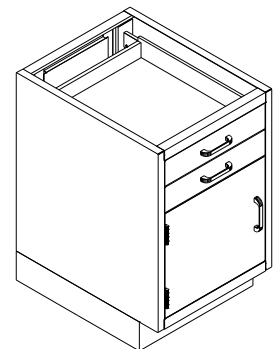
Drawer (6) low base unit

7306-15	15" W
7306-18	18" W
7306-21	21" W
7306-24	24" W



Open low base unit w/shelf (1)

7308-15	15" W
7308-18	18" W
7308-21	21" W
7308-24	24" W

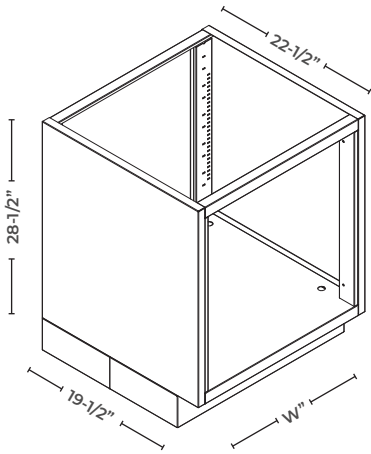


Drawer (2)/Cupboard (1) low base unit

7309*15	15" W
7309*18	18" W
7309*21	21" W
7309*24	24" W

SITTING HEIGHT

7300 SERIES- SINGLE UNITS

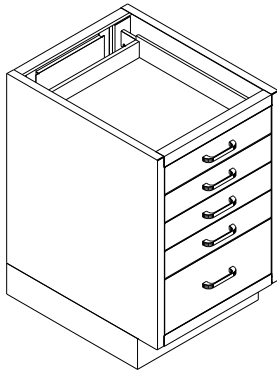


Product Features:

- Shelves are adjustable in 1/2" increments
- All cabinets have removable rear access panels.
- All file drawers have follow-blocks.
- Pull out shelves available.

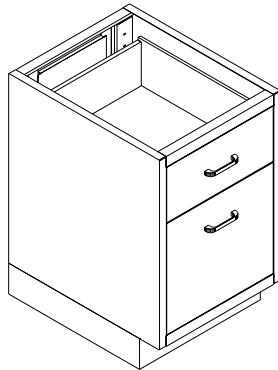
Ordering Information

- Specify swing for cupboard doors on **single** units by substituting '*' with 'R' or 'L' after series number (Units are shown with left swing).
- Ex. 7009**R**24 for right swing cupboard unit, 24" Wide
- For finished backs, add suffix '**FB**' to end of model number (Ex. 7010-24**FB**)
- For Locks, add suffix '**LK**' to end of model number (Ex. 7001-15**LK**)



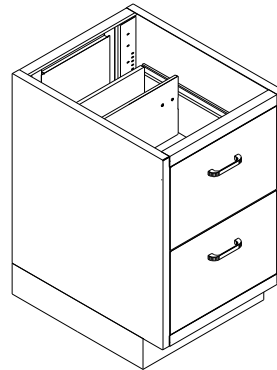
Drawer (5) low base unit

7310-15	15" W
7310-18	18" W
7310-21	21" W
7310-24	24" W



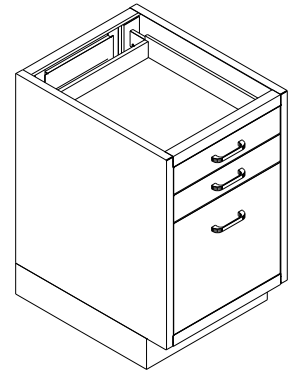
Drawer (1)/File drawer (1) low base unit

7311-15	15" W
7311-18	18" W
7311-21	21" W
7311-24	24" W



File drawer (2) low base unit

7313-15	15" W
7313-18	18" W
7313-21	21" W
7313-24	24" W

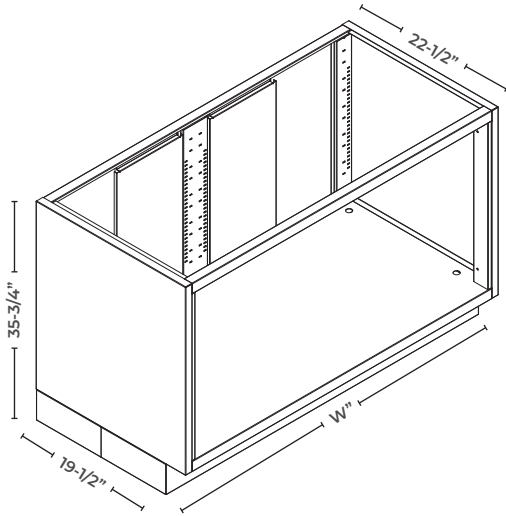


Drawer (2)/File drawer (1) low base unit

7314-15	15" W
7314-18	18" W
7314-21	21" W
7314-24	24" W

SITTING HEIGHT

7400 SERIES- DOUBLE & COMBINATION UNITS

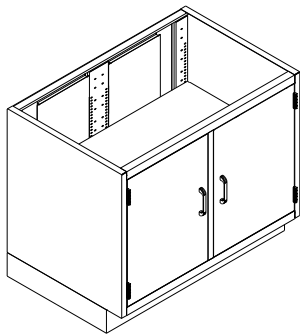


Product Features:

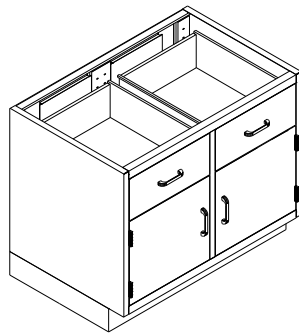
- Shelves are adjustable in 1/2" increments
- All cabinets have removable rear access panels.
- All file drawers have follow-blocks.
- Pull out shelves available.

Ordering Information

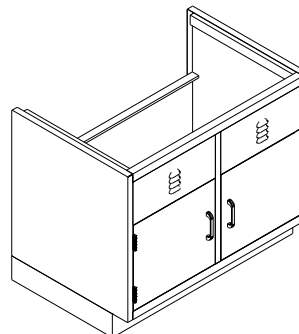
- For finished backs, add suffix 'FB' to end of model number (Ex. 7010-24FB)
- For ADA Height, add letter 'A' to end of model number (Ex. 7102-29A)
- For Locks, add suffix 'LK' to end of model number (Ex. 7001-15LK)



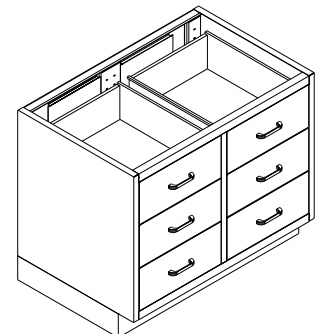
Door (2) low base unit



Drawer (2)/Door (2) low base unit



Drawer (2) low sink base unit



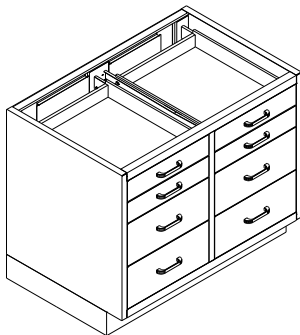
Drawer (6) low base unit

7401-29.....	29" W
7401-35.....	35" W
7401-41.....	41" W
7401-47.....	47" W

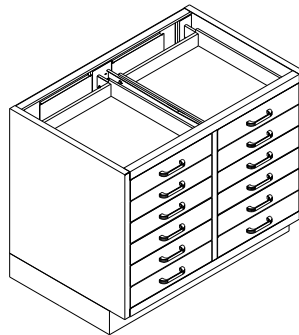
7402-29.....	29" W
7402-35.....	35" W
7402-41.....	41" W
7402-47.....	47" W

7403-29.....	29" W
7403-35.....	35" W
7403-41.....	41" W
7403-47.....	47" W
7403-52.....	52" W
7403-58.....	58" W

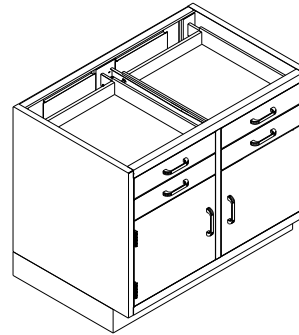
7404-29.....	29" W
7404-35.....	35" W
7404-41.....	41" W
7404-47.....	47" W



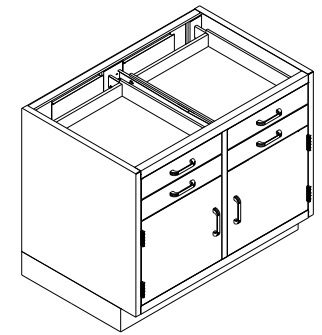
Drawer (8) low base unit



Drawer (12) low base unit



Open low base unit w/Shelf (1)



Drawer (4)/Door (2) low base unit

7405-29.....	29" W
7405-35.....	35" W
7405-41.....	41" W
7405-47.....	47" W

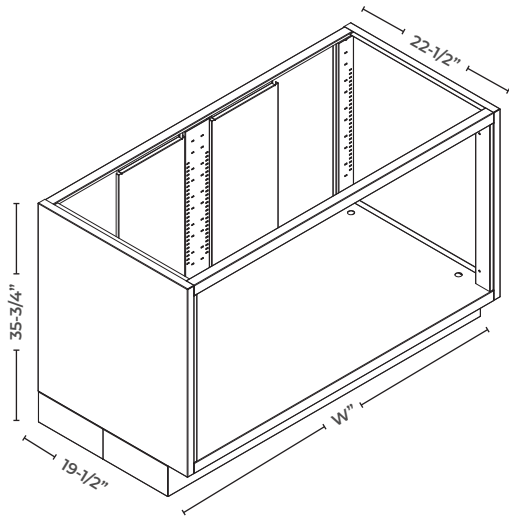
7406-29.....	29" W
7406-35.....	35" W
7406-41.....	41" W
7406-47.....	47" W

7408-29.....	29" W
7408-35.....	35" W
7408-41.....	41" W
7408-47.....	47" W

7409-29.....	29" W
7409-35.....	35" W
7409-41.....	41" W
7409-47.....	47" W

SITTING HEIGHT

7400 SERIES- DOUBLE & COMBINATION UNITS

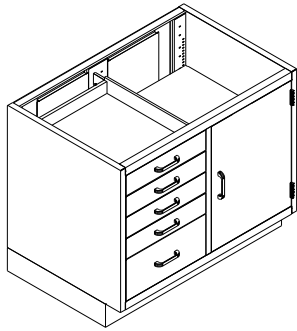


Product Features:

- Shelves are adjustable in 1/2" increments
- All cabinets have removable rear access panels.
- All file drawers have follow-blocks.
- Pull out shelves available.

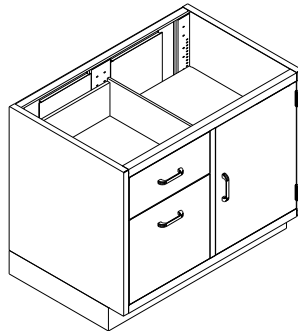
Ordering Information

- Specify swing for cupboard doors on **single** units by substituting '*' with 'R' or 'L' after series number (Units are shown with left swing). (Ex. 7009R24 for right swing cupboard unit, 24" Wide)
- For finished backs, add suffix 'FB' to end of model number (Ex. 7010-24FB)
- For ADA Height, add letter 'A' to end of model number (Ex. 7102-29A)
- For Locks, add suffix 'LK' to end of model number (Ex. 7001-15LK)



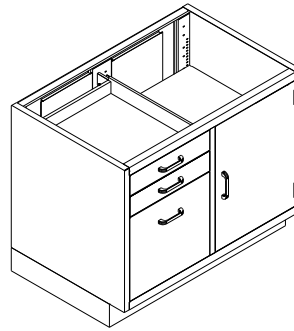
Drawer (5)/Cupboard (2) low base unit

7410*29	29" W
7410*35	35" W
7410*41	41" W
7410*47	47" W



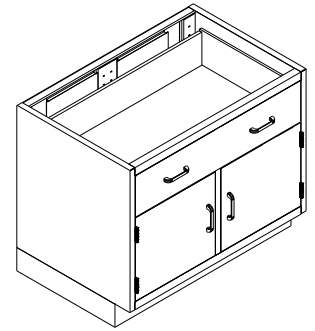
Drawer (1)/File drawer (1)/Cupboard (1) low base unit

7411*29	29" W
7411*35	35" W
7411*41	41" W
7411*47	47" W



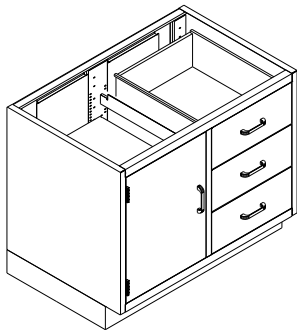
Drawer (2)/File drawer (1)/Cupboard (1) low base unit

7414*29	29" W
7414*35	35" W
7414*41	41" W
7414*47	47" W



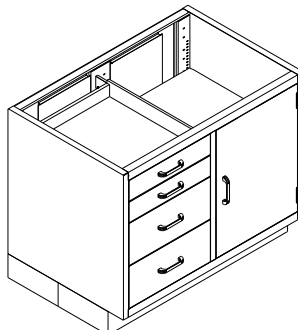
Full width drawer/Door (2) low base unit

7419-29	29" W
7419-35	35" W
7419-41	41" W
7419-47	47" W



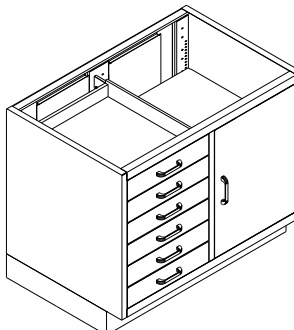
Drawer (4)/Cupboard (1) low base unit

7422*29	29" W
7422*35	35" W
7422*41	41" W
7422*47	47" W



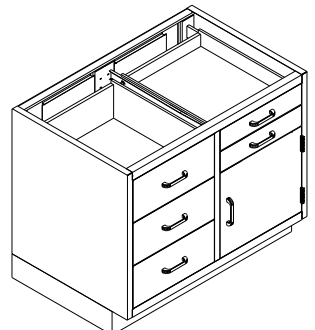
Drawer (3)/Cupboard (1) low base unit

7421*29	29" W
7421*35	35" W
7421*41	41" W
7421*47	47" W



Drawer (6)/Cupboard (1) low base unit

7424*29	29" W
7424*35	35" W
7424*41	41" W
7424*47	47" W

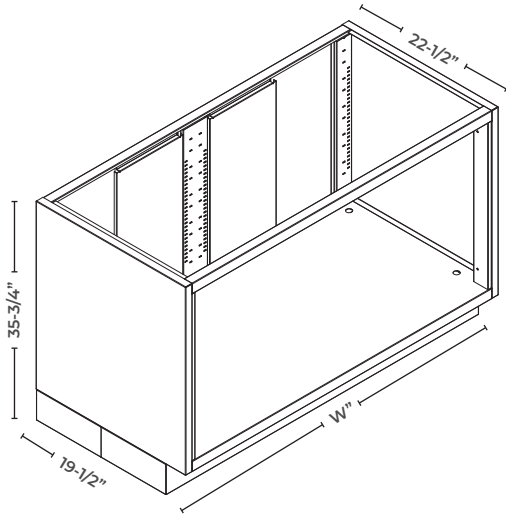


Drawer (5)/Cupboard (1) low base unit

7425*29	29" W
7425*35	35" W
7425*41	41" W
7425*47	47" W

SITTING HEIGHT

7400 SERIES- DOUBLE & COMBINATION UNITS

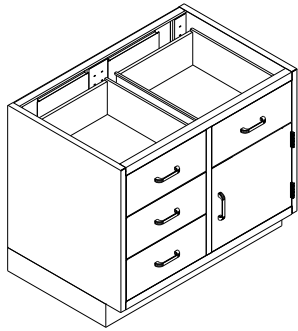


Product Features:

- Shelves are adjustable in 1/2" increments
- All cabinets have removable rear access panels.
- All file drawers have follow-blocks.
- Pull out shelves available.

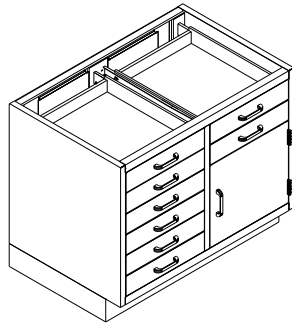
Ordering Information

- For finished backs, add suffix 'FB' to end of model number (Ex. 7010-24FB)
- For ADA Height, add letter 'A' to end of model number (Ex. 7102-29A)
- For Locks, add suffix 'LK' to end of model number (Ex. 7001-15LK)



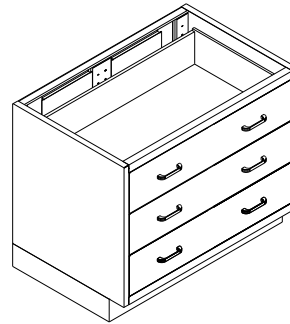
Drawer (4)/Cupboard (1) low base unit

7426*29	29" W
7426*35	35" W
7426*41	41" W
7426*47	47" W



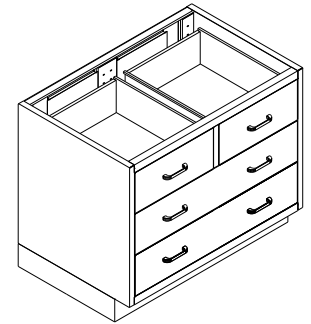
Drawer (8)/Cupboard (1) low base unit

7427*29	29" W
7427*35	35" W
7427*41	41" W
7427*47	47" W



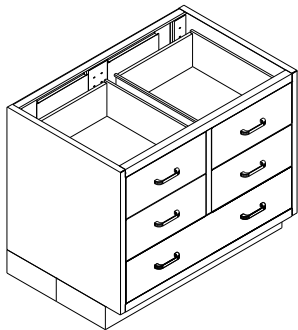
Full width drawer (3) low base unit

7430-29	29" W
7430-35	35" W
7430-41	41" W
7430-47	47" W



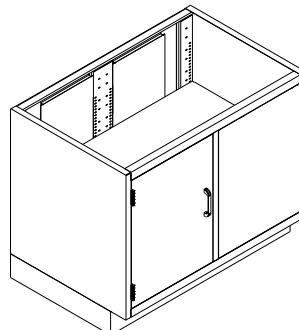
Drawer (2)/Full width drawer (2) low base unit

7431-29	29" W
7431-35	35" W
7431-41	41" W
7431-47	47" W



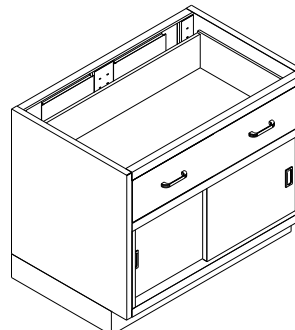
Drawer (4)/Full width drawer (1) low base unit

7432-29	29" W
7432-35	35" W
7432-41	41" W
7432-47	47" W



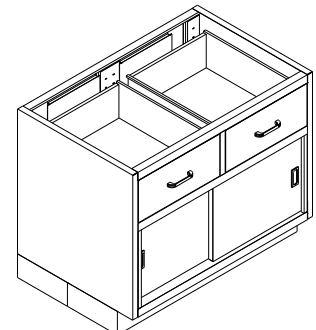
Dead corner low base unit

7436*29	29" W
7436*35	35" W
7436*41	41" W
7436*47	47" W



Full width drawer (1)/Sliding door (2) low base unit

7443-29	29" W
7443-35	35" W
7443-41	41" W
7443-47	47" W

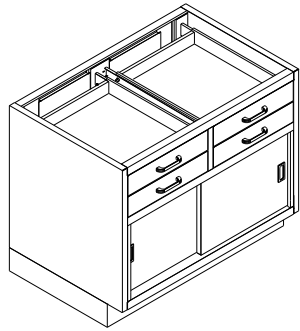
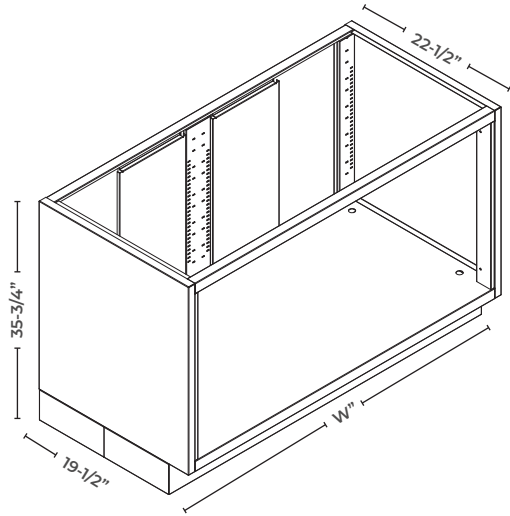


Drawer (2)/Full width drawer (1) low base unit

7445-29	29" W
7445-35	35" W
7445-41	41" W
7445-47	47" W

SITTING HEIGHT

7400 SERIES- DOUBLE & COMBINATION UNITS



Drawer (4)/Full width drawer (1) low base unit

7446-29	29" W
7446-35	35" W
7446-41	41" W
7446-47	47" W

Product Features:

- Shelves are adjustable in 1/2" increments
- All cabinets have removable rear access panels.
- All file drawers have follow-blocks.
- Pull out shelves available.

Ordering Information

- Specify swing for cupboard doors on **single** units by substituting '*' with '**R**' or '**L**' after series number (Units are shown with left swing). (Ex. 7009**R**24 for right swing cupboard unit, 24" Wide)
- For finished backs, add suffix '**FB**' to end of model number (Ex. 7010-24**FB**)
- For ADA Height, add letter '**A**' to end of model number (Ex. 7102-29**A**)
- For Locks, add suffix '**LK**' to end of model number (Ex. 7001-15**LK**)

CORNER BASE UNITS

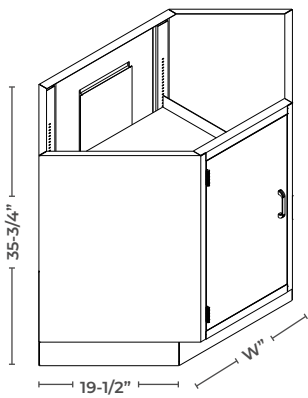
7100 & 7400 SERIES- STANDING HEIGHT & SITTING HEIGHT

Product Features:

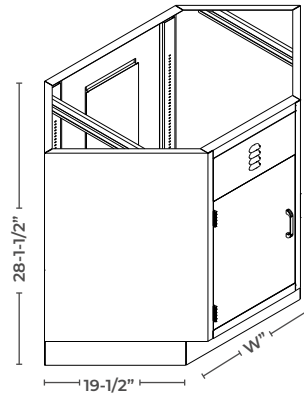
- Louvered front panel units 7173 and 7473
- Removable rear access panels
- Space for optional Lazy Susan shelves (24" diameter max(in 7171 and 7471 (see page A32)

Ordering Information

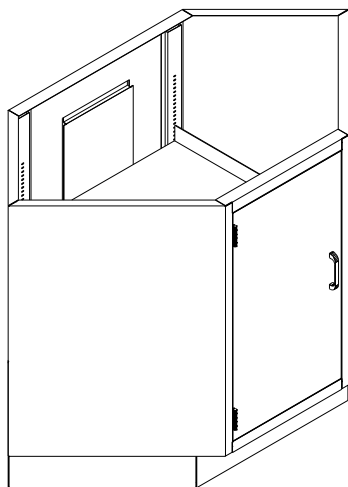
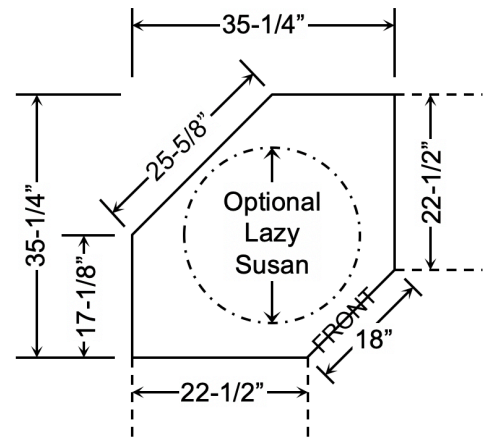
- Cupboard doors will be furnished left-hinged unless other specified by substituting '*' with 'R' or 'L' after series number (Units are shown with left swing).
Ex. 7171R28 for right swing
- Specify sink hangers if required (for undermount sinks)
- For Locks, add suffix 'LK' to end of model number (Ex. 7001-15LK)



Standing Height
7000, 7100

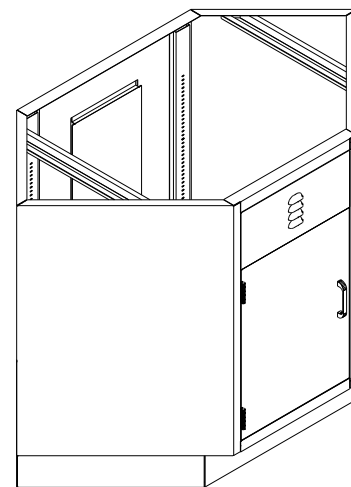


Sitting Height
7300, 7400



Corner Base Unit

7171*18	35-3/4" H	18" W
7471*18	28-1/2" H	18" W



Sink Base Unit

7173*18	35-3/4" H	18" W
7473*18	28-1/2" H	18" W