

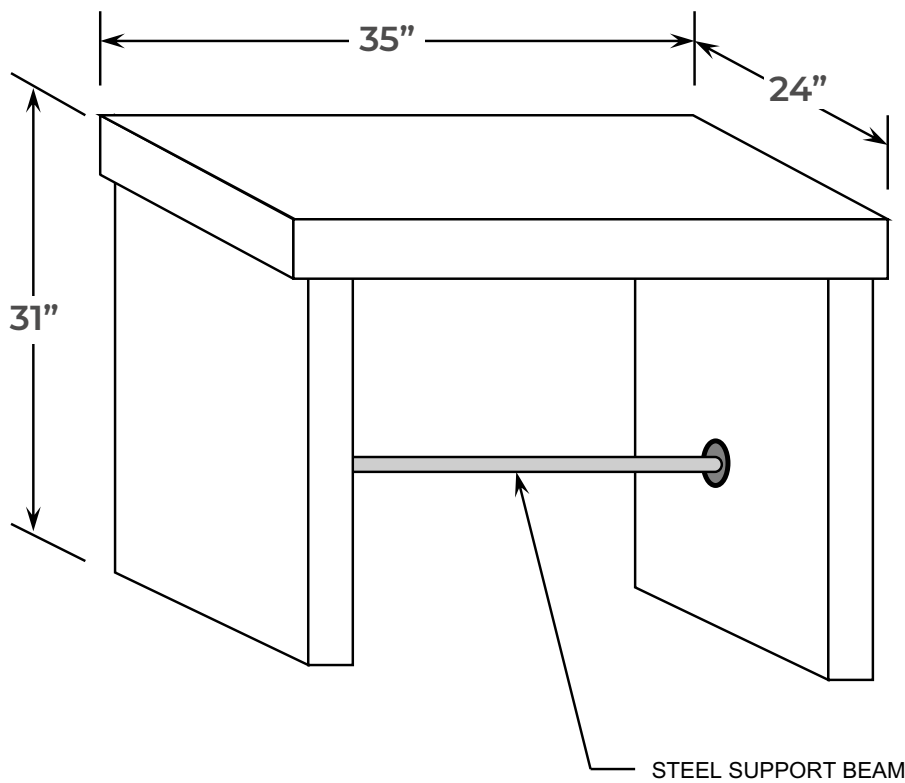
EPOXY BALANCE TABLES

Product Features:

- Fabricated from 3" thick Epoxy Resin Slabs
- Provides an extremely stable surface for delicate instruments.
- Steel support beam adds strength and rigidity.

Ordering Information

- Specify color: Black is standard, contact factory for available colors.
- Tables are shipped knocked down for field assembly.
- Weight 440 lbs.



Epoxy Resin Balance Table

35"W 31"H 24"D
2-1/2 Thick Slabs
Galvanized Steel Lateral Support Beam
Rubberized Vibration Reduction Foot Pads
Black

BTABLE-B.....
*Custom Size